

Premier 650 High-Temperature Oven

RCI-P650E

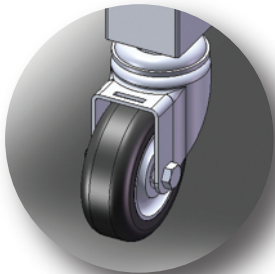


- The P650E is key to a successful rok cooking system. It is designed with enduring quality and value. It is built to hold up to 750 pounds of rok and to maintain their optimal cooking temperature.
- Heavy duty, all stainless steel construction. Easy to clean.
- Special insulating materials provide superb heat retention and low temperature on outer casing.
- Equipped with movable stainless steel stand for easy cleaning and maintenance. 2 stainless steel shelves provide ample storage for porcelain platters and stainless steel inserts.
- IPx4 rating for water resistance. Can be used in ocean environments and on cruise ships.
- Cord length 6 feet. US plug type is NEMA L6-20 locking. Non-US plug type is Pin & Sleeve 316P6S

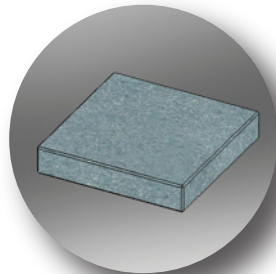


- Approximate weight, unloaded, is 150 kg or 330lbs.

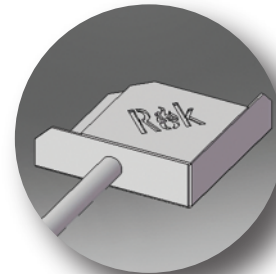
- Operates on single phase, 220-240 volt power. Low maintenance and cost of ownership.



Locking casters facilitate easy moving of oven



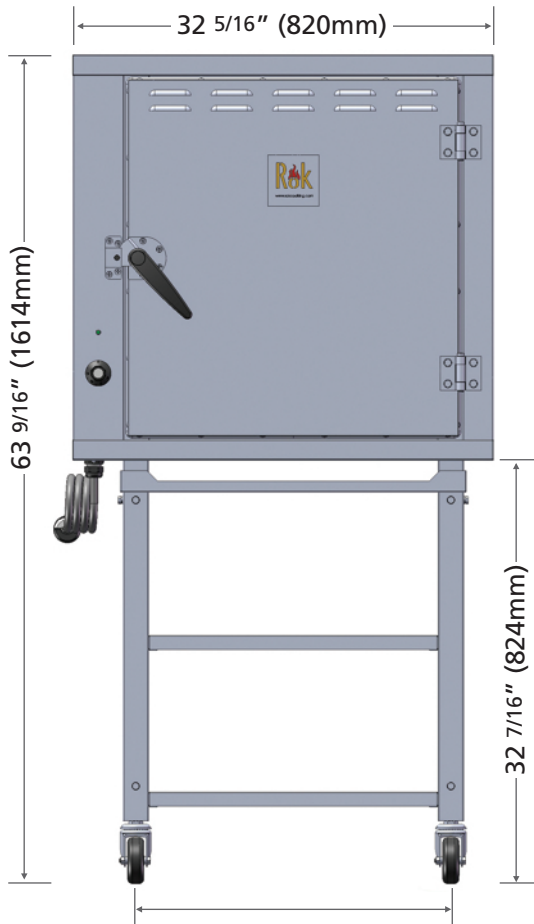
Holds up to 108 Roks 170x170x32mm



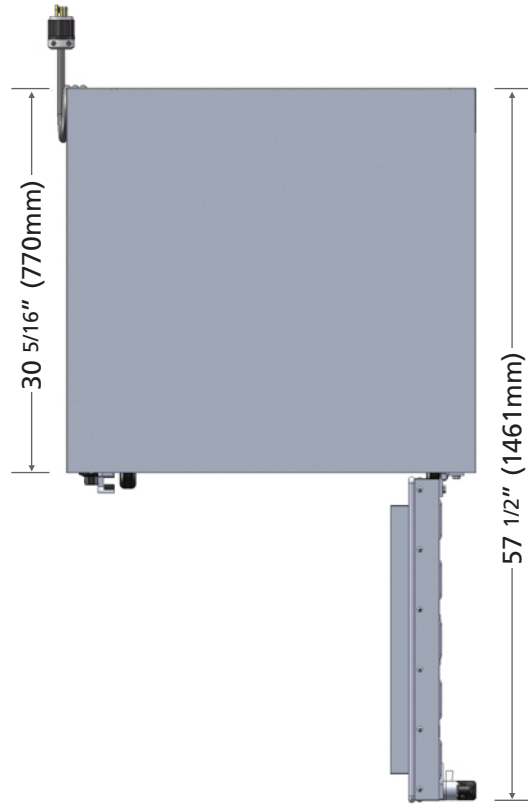
Stainless steel shovel allows easy removal of hot roks from oven

Premier 650 High-Temperature Oven

Plan View



Elevation



Top View

Model	Power	Volts/Hz	Temperature	Rok Capacity	UL file #
RCI-P650E	3kW	220-240/50-60	50-450°C	Up to 108	E337741 E337743



2530 Berryessa Road, Suite 125 San Jose, CA 95132 1.866.LUV.ROKS (Toll Free within US)
408.205.7711 T 408.254.0152 F